



Color Variants

VP230114

Stainless steel control panel

Width 28 cm

Included accessories

2 x spatula.

Optional accessories

VD201014

Brushed stainless steel appliance cover

Installation Accessories

SH230001

Hinge holder for fitting the appliance cover

VV200014

Stainless steel connection strip for combination with other Vario appliances of the 200 series

VP230114

Vario Teppan Yaki 200 series

Stainless steel control panel

Width 28 cm

Can be combined with the cooktops of the Vario 200 series to a harmonic unity

Generous control panel for comfortable and secure operation
Cooking directly on the metal surface, without any pots or pans
Exact temperature control up to 240 °C

Keeping warm setting

Cooking zones

Useable area: W 22.5 x D 39.5 cm.

Handling

Keeping warm setting.
Electronic temperature control from 120 °C to 240 °C.
Cleaning stage.

Features

Heating element with 1800 W.
Stainless steel frame seamlessly welded with the stainless steel surface.

Safety

Pre-heat and residual heat indicator.
Operation indicator.

Planning notes

The distance from the upper edge of the work surface to the upper edge of the intermediate shelf must be at least 150 mm.

Appliance can be snapped into the worktop from above.

A minimum lateral clearance of at least 30 mm from adjacent heat-sensitive furniture or contact surfaces must be observed or thermal insulation fitted.
Intermediate shelf required; after installation, this shelf must only be removed using tools to guarantee the touch protection from below.
Appliance weight: approx. 10 kg.

Connection

Total connected load 1.8 kW.
Connecting cable 1.7 m without plug.

Characteristics

Product name/family

Vario/Domino Teppan Yaki

Built-in / Free-standing

Built-in

Energy input

Electric

Type of control

Electronic

Grill grating material

Stainless steel

Required niche size for installation

(HxWxD)

135 x 268 x 490

Width of the product (mm)

288

Dimensions of the product (mm)

135 x 288 x 523

Dimensions of the packed product

(HxWxD) (mm)

223 x 407 x 603

Net weight (kg)

9.628

Gross weight (kg)

10.7

Residual heat indicator

Separate

Location of control panel

Basic surface material

Stainless steel

Color of surface

Stainless steel, Stainless steel

Color of frame

Stainless steel

Approval certificates

Australia Standards, CE, Eurasian, G-Mark, Ukraine, VDE

Length electrical supply cord (cm)

170

Consumption and connection features

Electrical connection rating (W)

1800

Gas connection rating (W)

Current (A)

10

Voltage (V)

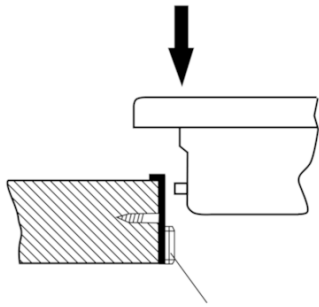
220-240

Frequency (Hz)

50; 60

2019-10-29

Page 1



Mounting rail
(rear and front)

