



#### Color Variants

VP414115

#### Included accessories

2 x spatula.

#### Required installation accessories

CKP420000

CKP420010

#### Installation Accessories

VA420004

VA420010

VA440010

Cooking directly on the hard-chromed metal surface, without any pots or pans  
Exact temperature control up to 240 °C  
Optimum heat distribution  
Solid stainless steel knob, also selectable with black robust finishing, for precise control and personalisation  
Precision crafted 3 mm stainless steel  
For surface mounting with a visible edge or for flush mounting  
Can be combined perfectly with other Vario appliances of the 400 series

#### Cooking zones

Usable area W 31 x D 44 cm.

#### Handling

Control knobs with illuminated ring, cooking zone and temperature markings.  
Electronic temperature control from 120 °C to 240 °C.

#### Features

Two zones, each 1500 W, can be operated together as a complete surface or each half separately.  
Keeping warm setting.  
Cleaning stage.  
Even with traces of use, always easy to clean like a cast pan.

#### Safety

Safety shut-off.  
Pre-heat and residual heat indicator.

#### Planning notes

Depending on the type of installation (surface-mounted or flush-mounted, with or without an appliance cover), the specific location of the cut-out and the knob positions may vary.

If combining several Vario appliances of the 400 series, a connection strip VA 420 must be placed between the appliances. Depending on the type of installation, the corresponding connection strip must be provided.  
The bearing capacity and stability, in the case of thinner worktops in particular, must be supported using suitable substructures. Take into account the appliance weight and additional loads.

Additional instructions for flush mounting:

Installation is possible in worktops made of stone, synthetics or solid wood. Heat resistance and watertight sealing of the cut edges must be observed. Concerning other materials please consult the worktop manufacturer.

The groove must be continuous and even, so that uniform placing of the appliance on the gasket is ensured. Do not use discontinuous lining.

The joint width may vary due to size tolerances of the combinations and of the worktop cut-out.

If installing several appliances in individual cut-outs allow for a division bar of minimum 50 mm between the individual cut-outs.

A minimum lateral clearance of at least 40 mm from adjacent heat-sensitive furniture or contact surfaces must be observed or thermal insulation fitted.

Appliance can be snapped into the worktop from above.

Appliance weight: approx. 11 kg.

#### Connection

Total connected load 3.0 KW.  
Connecting cable 1.50 m without plug.

#### Characteristics

##### Frequency

50-60

##### Product name/family

Vario/Domino Teppan Yaki

##### Built-in / Free-standing

Built-in

##### Energy input

Electric

##### Type of control

Electronic

##### Grill grating material

Chrome

##### Required niche size for installation

(HxWxD)

118 x 360 x 490

##### Width of the appliance

380

##### Dimensions

118x380x520

##### Dimensions of the packed product

(HxWxD)

400x460x600

##### Net weight

11.4

##### Gross weight

15.2

##### Residual heat indicator

yes

##### Location of control panel

Front

##### Basic surface material

Chrome

##### Color of surface

Stainless steel, Stainless steel

##### Color of frame

Stainless steel

##### Length electrical supply cord

150

##### Connection Rating

3000

##### Gas connection rating

Fuse protection

16

##### Voltage

220-240

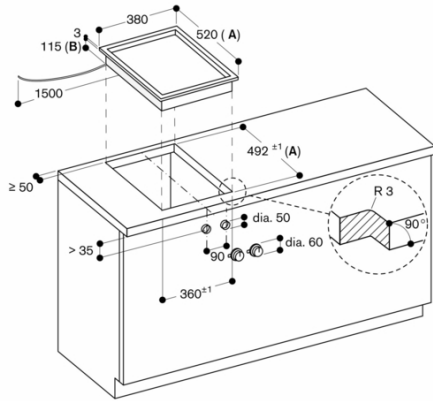
##### Included accessories

2 x spatula

#### Consumption and connection features

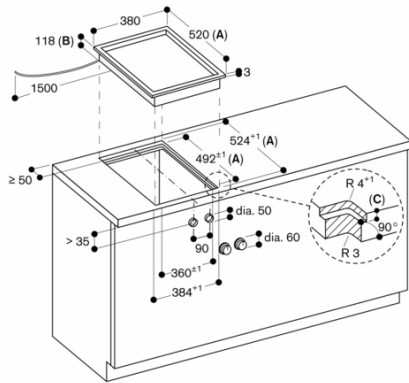
2025-12-17

Page 1



- A: When installing with appliance cover, take the deeper cut-out into consideration (observe separate planning notes)  
B: 130 mm in the area of the cable clamp (left, on the rear side)

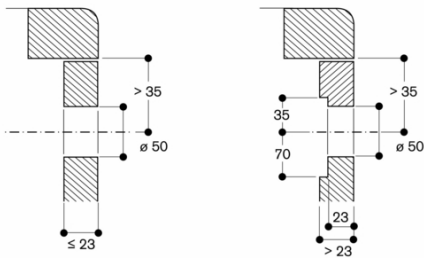
measurements in mm



- A: When installing with appliance cover, take the deeper cut-out into consideration (observe separate planning notes)  
B: 133 mm in the area of the cable clamp (left, on the rear side)  
C:  $3.5^{+0.5}$   
 $6.5^{+0.5}$  in combinations with frameless induction hobs

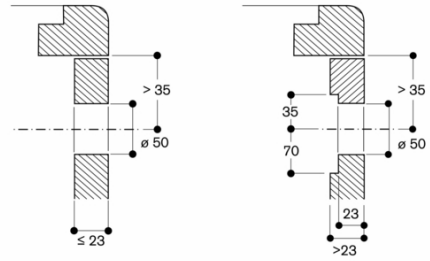
measurements in mm

Installation of the control knob; surface mounting



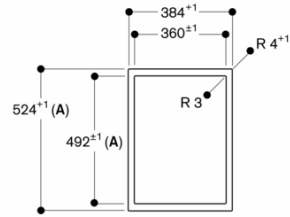
measurements in mm

Installation of the control knob; flush installation



measurements in mm

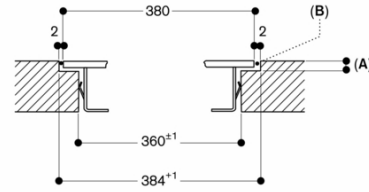
View from above



- A: When installing with appliance cover, take the deeper cut-out into consideration (observe separate planning notes)

measurements in mm

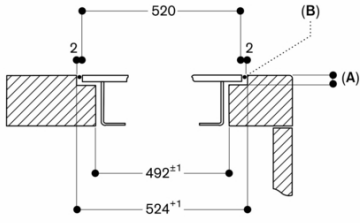
Longitudinal section



- A:  $3.5^{+0.5}$   
 $6.5^{+0.5}$  in combinations with frameless induction hobs  
B: Fill with silicone

measurements in mm

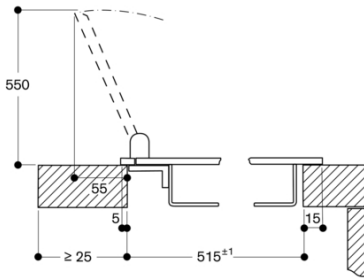
Cross-section



- A: 3.5<sup>-0.5</sup>  
6.5<sup>+0.5</sup> in combinations with frameless induction hobs
- B: Fill with silicone

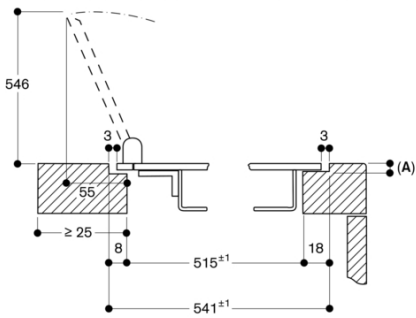
When installing with appliance cover, pay attention to the deeper cut-out and the front and rear groove width.  
measurements in mm

Installation with appliance cover, surface mounting



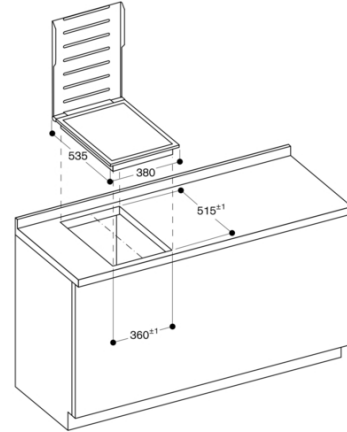
measurements in mm

Installation with appliance cover, flush mounting



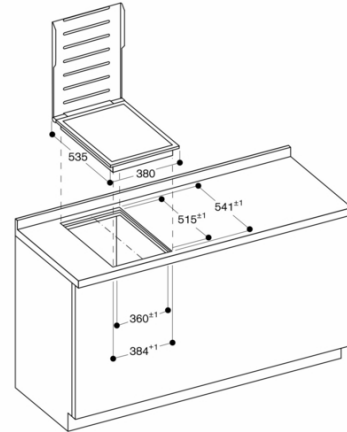
A: 3.5<sup>0.5</sup>  
measurements in mm

Installation with appliance cover, surface mounting



measurements in mm

Installation with appliance cover, flush mounting



measurements in mm