



VR230120

1 x cast iron grill
1 x lava stones
1 x cleaning brush

LV030000:
Lava stones

VD200020:
Black cover series 200

VV200010:
Connecting strip series 200 ss

VV200020:
Connecting strip series 200 black

Vario electric grill 200 series 28 cm

VR230120

Can be combined with the cooktops of the Vario 200 series to a harmonic unity
Control panel for comfortable and secure operation
2 zones, separately controlled
Open cast grill, lava stones

Handling

Control knobs with illuminated ring.
Integrated control panel.
9 switching levels.

Features

2 separately controllable swing-out grilling elements (1500 W).
Join function.
Cast grill.
Stainless steel lavastone container and grease collecting insert, dishwasher-safe.

Safety

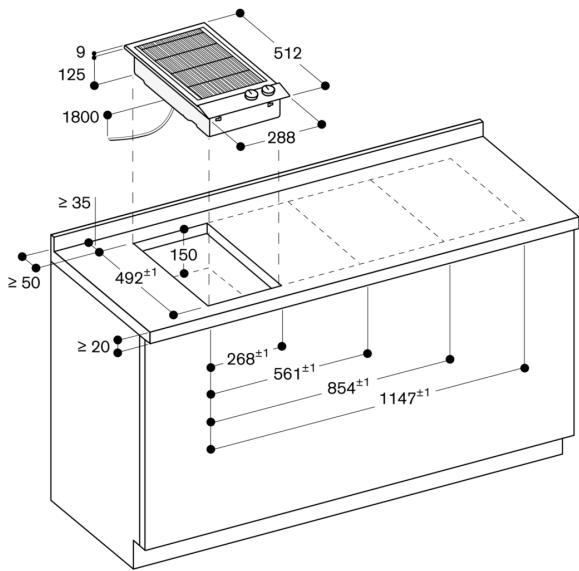
Pre-heat and residual heat indicator.
Operation indicator.
Safety shut-off.

Planning notes

Appliance can be snapped into the worktop from above.
A minimum clearance of at least 200 mm from adjacent heat-sensitive furniture or contact surfaces must be observed or thermal insulation fitted.
Appliance weight: approx. 17 kg.

Connection

Total connected load 3.0 KW.
Connecting cable 1.8 m without plug.



measurements in mm