



VR230420

Included accessories

- 1 x cast iron grill
- 1 x lava stones
- 1 x cleaning brush

Optional accessories

LV030000:

Lava stones

VD200020:

Black cover series 200

installation accessories

VV200010:

Connecting strip series 200 ss

VV200020:

Connecting strip series 200 black

Vario electric grill 200 series

28 cm

VR230420

Can be combined with the cooktops of the Vario 200 series to a harmonic unity

Control panel for comfortable and secure operation

2 zones, separately controlled

Open cast grill, lava stones

Handling

Control knobs with illuminated ring.

Integrated control panel.

9 switching levels.

Features

2 separately controllable swing-out grilling elements (1500 W).

Join function.

Cast grill.

Stainless steel lavastone container and grease collecting insert, dishwasher-safe.

Safety

Pre-heat and residual heat indicator.

Operation indicator.

Safety shut-off.

Planning notes

Appliance can be snapped into the worktop from above.

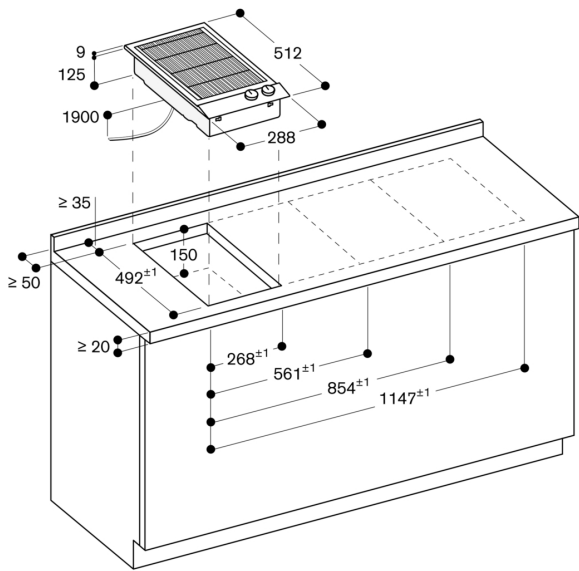
A minimum clearance of at least 200 mm from adjacent heat-sensitive furniture or contact surfaces must be observed or thermal insulation fitted.

Appliance weight: approx. 16 kg.

Connection

Total connected load 3.0 KW.

Connecting cable 1.90 m without plug.



measurements in mm