



**VR414110**  
**Vario electric grill 400 series**  
**Stainless steel**  
**Width 38 cm**

2 separately controlled zones  
 Cast pan, half size, for simultaneous frying and grilling on two separate surfaces  
 Open cast grill, lava stones  
 Solid stainless steel control knob  
 Precision crafted 3 mm stainless steel  
 For surface mounting with a visible edge or for flush mounting  
 Can be combined perfectly with other Vario appliances of the 400 series

**Handling**  
 Control knobs with illuminated ring, cooking zone and output level markings.  
 Electronic control in 12 output levels.

**Features**  
 Cooktop, lava stone trough and grease collecting insert from stainless steel.  
 2 independently controlled grilling elements (1500 W).  
 Two-part cast grill.

**Safety**  
 Safety shut-off.  
 Pre-heat and residual heat indicator.

**Planning notes**  
 Depending on the type of installation (surface-mounted or flush-mounted, with or without an appliance cover), the specific location of the cut-out and the knob positions may vary.  
 If installing with the appliance cover VA 440 or filler strip VA 450 take into account the additional space required for the depth.  
 If combining several appliances with at least one appliance cover, the filler strip VA 450 is required to compensate for the depth of the appliance without the appliance cover.  
 If combining several Vario appliances of the 400 series, a connection strip VA 420 must be placed between the appliances. Depending on the type of installation, the corresponding connection strip must be provided.  
 In the cut-out, the installation system requires the side edge to be at least 10 mm for surface mounting and at least 13 mm for flush mounting. Ensure a continuous cut surface of 90°.  
 The bearing capacity and stability, in the case of thin worktops in particular, must be supported using suitable substructures. Take into account the appliance weight and additional loads. Additional instructions for flush mounting:  
 Installation is possible in worktops made of stone, synthetics or solid wood. Heat resistance and watertight sealing of the cut edges must be observed. Concerning other materials please consult the worktop manufacturer.  
 The groove must be continuous and even, so that uniform placing of the appliance on the gasket is ensured. Do not use discontinuous lining.  
 The joint width may vary due to size tolerances of the combinations and of the worktop cut-out.  
 If installing several appliances in individual cut-outs allow for a division bar of minimum 50 mm between the individual cut-outs.  
 Built-in control panel to be integrated in the bottom cabinet at drawer level.

**Characteristics**  
**Product name/family**  
 Vario/Domino barbecue grill  
**Built-in / Free-standing**  
 Built-in  
**Energy input**  
 Electric  
**Type of control**  
 Electronic  
**Grill grating material**  
 Cast iron  
**Required niche size for installation (HxWxD)**  
 105 x 360 x 492  
**Width of the appliance**  
 380  
**Dimensions**  
 105 x 380 x 520  
**Dimensions of the packed product (HxWxD)**  
 350 x 435 x 580  
**Net weight (kg)**  
 26.456  
**Gross weight (kg)**  
 28.5  
**Residual heat indicator**  
 Separate  
**Location of control panel**  
 Hob front  
**Basic surface material**  
 Cast iron  
**Color of surface**  
 Stainless steel, Stainless steel  
**Color of frame**  
 Stainless steel  
**Approval certificates**  
 Australia Standards, CCC, CE, China, China ROHS 20, Eurasian, G-Mark, Ukraine, VDE  
**Length electrical supply cord**  
**Connection rating (W)**  
 3000  
**Gas connection rating (W)**  
**Fuse protection (A)**  
 16  
**Voltage (V)**  
 220-240  
**Frequency (Hz)**  
 60; 50

**Consumption and connection features**  
 2021-09-05  
 Page 1

Panel thickness 16 - 26 mm.  
 The drawing "Installation of the control knob" must be observed if the panel is more than 26 mm thick (there must be a recess at the rear).  
 A minimum lateral clearance of at least 100 mm from adjacent heat-sensitive furniture or from the wall must be observed.  
 Appliance can be snapped into the worktop from above.  
 Appliance weight: approx. 26 kg.

**Connection**  
 Total connected load 3.0 KW.  
 Plan a connection cable.

**Color Variants**

**VR414110**  
**Stainless steel**  
**Width 38 cm**

**Included accessories**

1 x cast pan.  
 half size.  
 1 x grease drip tray.  
 2 x cast iron grill.  
 1 x lava stones.  
 1 x cleaning brush.

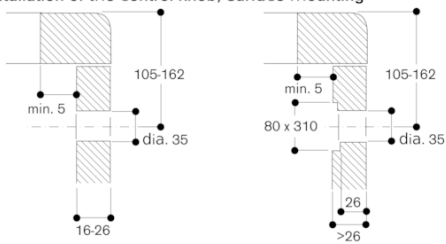
**Optional accessories**

**LV030000**  
**Lava stones for refilling**  
**VA461001**  
**Cast pan, enamelled, full size**

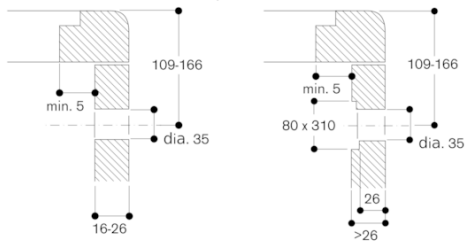
**Installation Accessories**

**VA420000**  
**Connection strip for combination with other Vario appliances of the 400 series for flush mounting**  
**VA420010**  
**Connection strip for combination with other Vario appliances of the 400 series for surface mounting**  
**VA440010**  
**Stainless steel appliance cover with mounting strip**

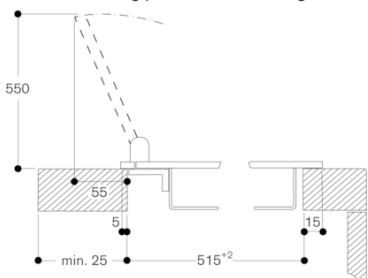
Installation of the control knob; surface mounting



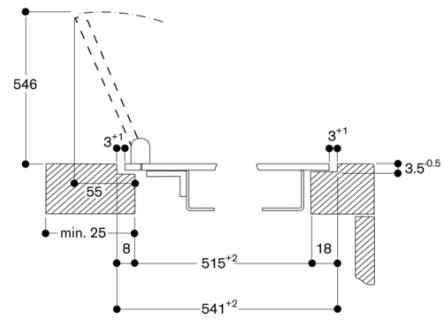
Installation of the control knob; flush installation



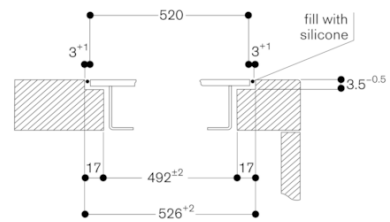
Installation with appliance cover/spacer batten;  
 installation standing proud of surrounding surfaces



Installation with appliance cover/spacer batten;  
 installation flush with surrounding surfaces

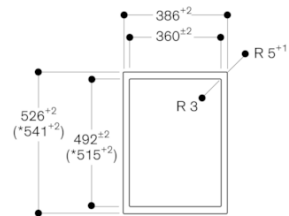


Cross-section



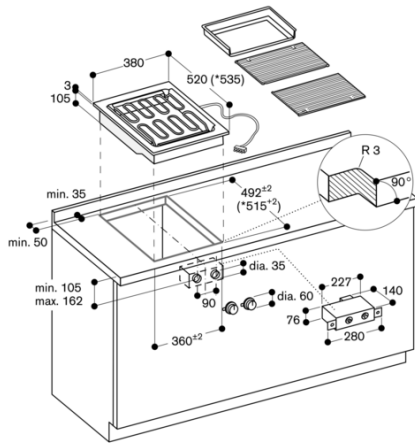
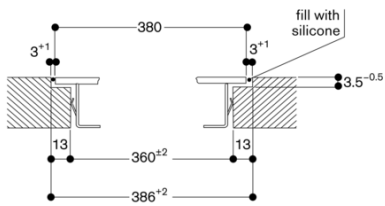
When installing with appliance cover or filler strip, pay attention to the deeper cut-out and the front and rear groove width.

View from above

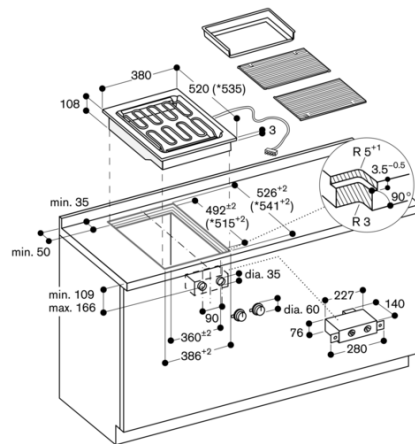


\* with appliance cover or filler strip (observe the front and rear asymmetrical support, see separate notes "Installation with appliance cover/filler strip").

Longitudinal section



\* with appliance cover  
 measurements in mm



\* with appliance cover  
 measurements in mm