



#### Color Variants

**WM260163**

**Free-standing, slide-under or stackable**

**Width 60 cm, height 84.8 cm**

**WM260163**

**Washing machine**

**Free-standing, slide-under or stackable**

**Width 60 cm, height 84.8 cm**



Intelligent dosage system iDos for automatic in-flow control of liquid detergent and softener  
9 kg drum with interior lighting  
Large porthole with 180 ° door opening angle  
Innovative BLDC motor technology for more performance, higher durability as well as less energy consumption and noise  
Stain Automatic for stain specific programme cycles  
Combines perfectly with WT 260 101  
Energy efficiency class A+++

#### Handling

Electronic control.  
Illuminated rotary knob with integrated On-Off switch.  
Touch key operation.  
TFT display with clear text and symbols.  
Loading indicator with dosage recommendation.  
Programme sequence and remaining time display.  
Time delay up to 24 hours.  
Multiple signal tones.

#### Technical Features

Aqua sensor.  
Aqua stop.  
Flow-through sensor.  
Anti-stain automatic.  
Continuous automatic load adjustment.  
Foam detection system.  
Spin speed selection from 400 to 1600 rpm.  
Top-up function.  
Automatic stabilisation.  
Anti-crease system.  
Child lock.  
Home network integration for digital services (Home Connect) wireless via WiFi.  
The use of the Home Connect functionality depends on the Home Connect services, which are not available in every country. For further information please check: [home-connect.com](http://home-connect.com).

#### Programmes

Cottons.  
Eco Cottons.  
Easy Care.  
Quick/Mix.  
Delicates/Silk.  
Wool.  
Shirts/Blouses.  
Super 15/30.  
Hygiene.  
Sports.  
Jeans.  
Automatic Soft.  
Automatic Intensive.  
Additional Programmes: Downs, Curtains, Spinning, Rinse Plus, Drum Clean, Drain.  
Options: Eco Perfect, Speed Perfect, Rinse Plus, Less ironing, Rinse Hold, Water Plus, Silent Wash, Prewash, Stains.

#### Features

Powder detergent drawer with automatic cleaning mode after every wash cycle.  
2 iDos tanks with 1.3 and 0.5 l capacity for liquid detergent or softener.  
Stainless steel drum with wave structure.  
Drum interior lighting.  
Volume capacity from 1 to 9 kg.

#### Characteristics

**Built-in / Free-standing**

Free-standing

**Door hinge**

Left

**Color / Material body**

White

**Length electrical supply cord**

160

**Height for building under**

850.00

**Height of the product**

848

**Dimensions of the product**

848 x 598 x 590

**Wheels**

No

**Net weight**

82.9

**Drum volume**

60

**Capacity cotton**

**Universal Product Code**

**Main colour of product**

White

**Door Frame**

silver-white

**Color Buttons**

**Color Dial**

**Alternative colors available**

**Noise level washing**

47

**Connection rating**

2300

**Fuse protection**

10

**Voltage**

220-240

**Frequency**

50

**Total annual energy consumption**

**Total annual water consumption**

**Energy Star Qualified**

Yes

**Cord Included**

Yes

**Length of electrical supply cord (in)**

**Plug type**

Gardy plug w/ earthing

**Length of drain hose (in)**

59.05

**Length of supply hose (in)**

59.05

**Appliance Dimensions (h x w x d)**

**(inches)**

x x

**Dimensions of the packed product**

33.85 x 25.19 x 26.77

**Net weight**

183.000

**Gross weight**

185.000

**Capacity**

**Length of drain hose**

150.00

**Length of supply hose**

150.00

**Dimensions of the packed product**

**(HxWxD)**

860 x 680 x 640

**Gross weight**

83.8

**Power consumption standby/network:**

**Please check the user manual for how to switch off the WiFi module.**

1.5

**Time auto-standby/network**

20.0

**Connection rating**

2300

**Fuse protection**

10

**Voltage**

220-240

**Frequency**

50

**Approval certificates**

CE, Eurasian, G-Mark, SG SAFETY,

Ukraine, VDE

**Energy consumption**

**Water consumption**

**Total annual water consumption**

## Consumption data

Energy efficiency class A+++ at a range of energy efficiency classes from A++ + to D.

Water consumption 11220 l/year.

Energy consumption 152 kWh/year.

#### Planning notes

Left-hinged.

Height-adjustable feet.

Height for slide-under installation: 85

cm.

Stackable under the tumble dryer WT

260 101 in combination with special

accessory.

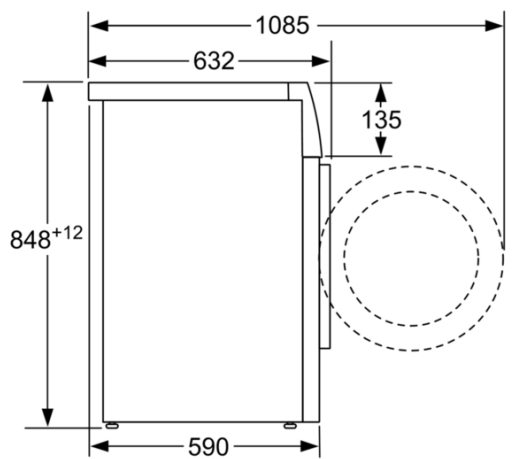
#### Connection

Total connected load 2.3 KW.

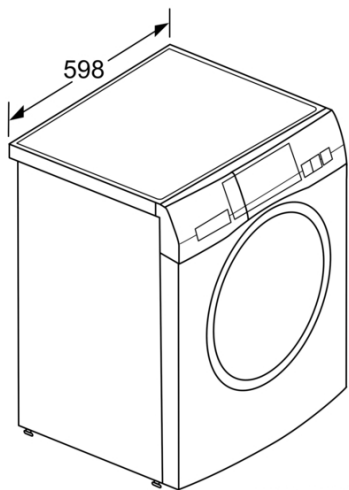
Connection cable 1.60 m with plug.

Water connection with 3/4" screw joint.

# GAGGENAU



measurements in mm



measurements in mm

