



WS061102

Optional accessories

Installation accessories

Warming drawer 400 series

60 x 14 cm

WS061102

Integrable in 14 cm high niche
Cushioned closing system
Hygienic stainless steel interior with glass bottom
For slow cooking, dough proofing, herbs and fruits drying, chocolate melting and defrosting

Heating methods

Slow cooking.
Keeping meals warm.
Warming ovenware.
Cups and plates warming.
Direct temperature control.
Personalisation function via Home Connect.
16 additional programs via Home Connect.

Handling

Touch key operation.

Features

Net volume 20 litres.
Volume capacity: Dinner service for 6 people including ø 27 cm plates and soup bowls, additional bowls and a serving dish depending on size.
Capacity load max. 25 kg.
Usable interior dimensions
W547 mm x H 91 mm x D 410 mm.
Heating system for even heat distribution and stable cavity temperature.
Status display, visible in the glass front.
Glass bottom made of safety glass.

Selected digital services (Home Connect)

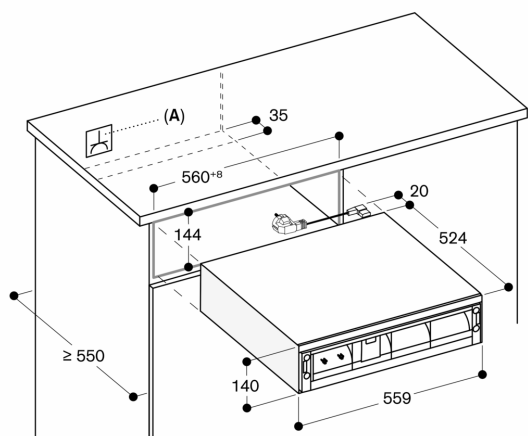
Additional programmes and recipes.
Remote control and monitoring.
Timing function.
Home network integration for digital services (Home Connect) wireless via WiFi.
The use of the Home Connect functionality depends on the Home Connect services, which are not available in every country. For further information please check: home-connect.com.

Planning notes

Attention: To open the fully integrated variant, a handle or a recessed grip is necessary.
Front weight up to 3 kg.
The socket can be planned behind the appliance.

Connection

Total connected load 0.82 KW.
Connection cable 1.8 m, pluggable.



A: Socket

Measurements in mm