



WS461112

**Warming drawer 400 series**  
**60 x 14 cm, Stainless steel behind glass**  
**WS461112**

Handleless drawer.  
Cushioned closing system.  
Hygienic stainless steel interior with glass bottom  
Direct temperature selection in the range 30 °C to 80 °C.  
For slow cooking, dough proofing, herbs and fruits drying, chocolate melting and defrosting

**Heating methods**

Slow cooking.  
Keeping meals warm.  
Warming cookware/plates.  
Cups and plates warming.  
Direct temperature control.  
Personalisation function via Home Connect.  
16 additional programmes via Home Connect.

**Handling**

Touch key operation.  
Recessed grip at the front bottom of the drawer.

**Features**

Net volume 20 litres.  
Volume capacity: Dinner service for 6 people including ø 27 cm plates and soup bowls, additional bowls and a serving dish depending on size.  
Capacity load max. 25 kg.  
Usable interior dimensions  
W547 mm x H 91 mm x D 410 mm.  
Heating system for even heat distribution and stable cavity temperature.  
Status display, visible in the glass front.  
Glass bottom made of safety glass.

**Selected digital services (Home Connect)**

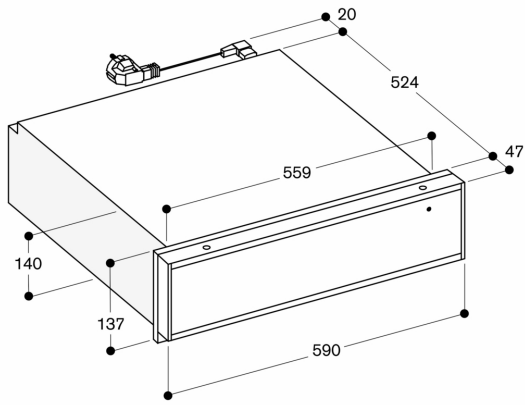
Additional programmes and recipes.  
Remote control and monitoring.  
Timing function.  
Home network integration for digital services (Home Connect) wireless via WiFi.  
The use of the Home Connect functionality depends on the Home Connect services, which are not available in every country. For further information please check: [home-connect.com](http://home-connect.com).

**Planning notes**

The panel surface of the appliance extends 47 mm from the furniture cavity.  
Installation of BS/BM/CM directly above WS in 59 cm niche without intermediate floor.  
The socket can be planned behind the appliance.

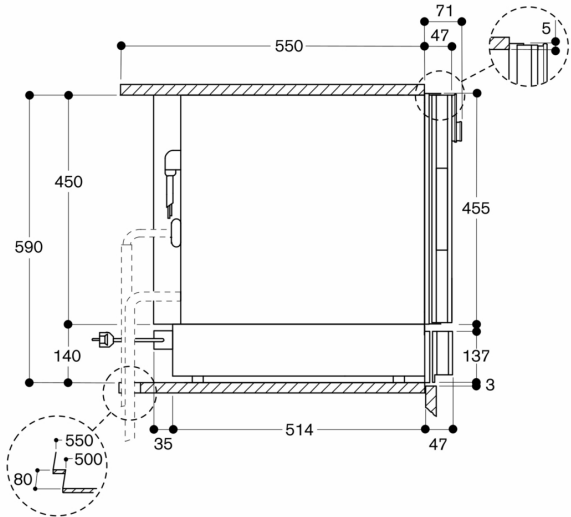
**Connection**

Total connected load 0.82 KW.  
Connection cable 1.75 m, pluggable.



Measurements in mm

Side view of WS 461 below BS, BM, CM



Measurements in mm