



WSP222112

Warming drawer 200 series
60 x 29 cm, Gaggenau Metallic
WSP222112

Flush installation
Handleless drawer.
Push-to-open function.
Hygienic stainless steel interior with glass bottom
Direct temperature selection in the range 30 °C to 80 °C.
For slow cooking, dough proofing, herbs and fruits drying, chocolate melting and defrosting

Heating methods

Slow cooking.
Keeping meals warm.
Warming cookware/plates.
Cups and plates warming.
Direct temperature control.
Personalisation function via Home Connect.
16 additional programmes via Home Connect.

Handling

Touch key operation.

Features

Net volume 54 litres.
Volume capacity: Dinner service for 12 people including ø 27 cm plates and soup bowls, additional bowls and a serving dish depending on size.
Capacity load max. 25 kg.
Usable interior dimensions
W547 mm x H 241 mm x D 410 mm.
Heating system for even heat distribution and stable cavity temperature.
Status display, visible in the glass front.
Glass bottom made of safety glass.

Selected digital services (Home Connect)

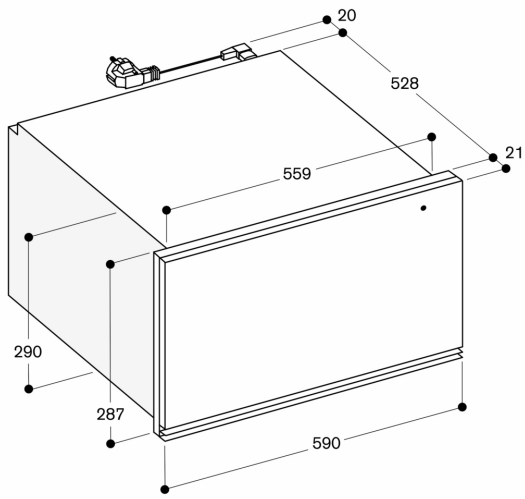
Additional programmes and recipes.
Remote control and monitoring.
Timing function.
Home network integration for digital services (Home Connect) wireless via WiFi.
The use of the Home Connect functionality depends on the Home Connect services, which are not available in every country. For further information please check: home-connect.com.

Planning notes

Necessary lateral gap between appliance front and furniture panel of min. 5 mm.
The door panel surface of the appliance extends 21 mm from the furniture cavity.
The socket can be planned behind the appliance.

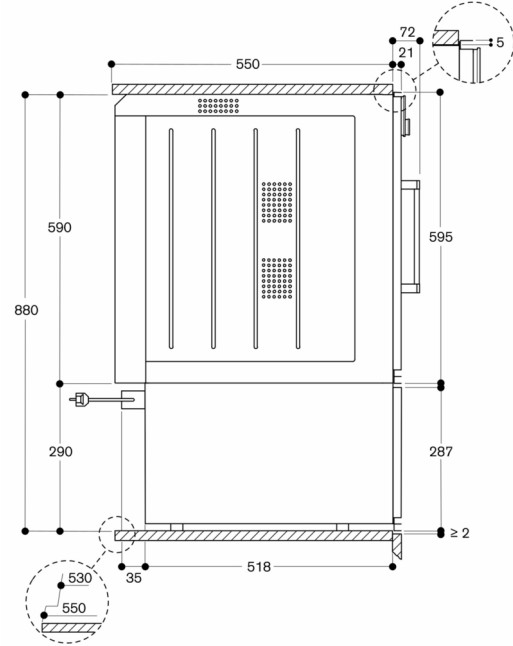
Connection

Total connected load 0.82 KW.
Connection cable 1.75 m, pluggable.



Measurements in mm

WSP 222 below BOP



Measurements in mm