



WSP222130

Optional accessories

Installation accessories

## Warming drawer 200 series 60 x 29 cm, Gaggenau Silver

WSP222130

Flush installation

Handleless drawer

Push-to-open system

Hygienic stainless steel interior with glass bottom

4 power levels in the temperature range 40 °C to 80 °C (glass surface)

Also for preparing and cooking meals, and for keeping meals warm

### Heating methods

Defrosting of meals/proving of yeast dough.

Preheating of small beverage containers.

Keeping meals warm/slow cooking meals.

Warming ovenware.

### Handling

Rotary knob operation.

### Features

Net volume 52 litres.

Volume capacity: Dinner service for 12 people including ø 24 cm plates and soup bowls, additional bowls and a serving dish depending on size.

Max. load 25 kg.

Usable interior dimensions

W468 x H 242 x D 458 mm.

Heating under glass bottom for easy cleaning.

Fan for even heat distribution for fast warming ovenware.

Status display, visible in the glass front.

Glass bottom made of safety glass.

### Planning notes

Necessary lateral gap between appliance front and furniture panel of min. 5 mm.

The door panel surface of the appliance extends 21 mm from the furniture cavity.

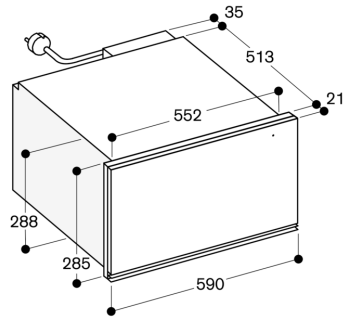
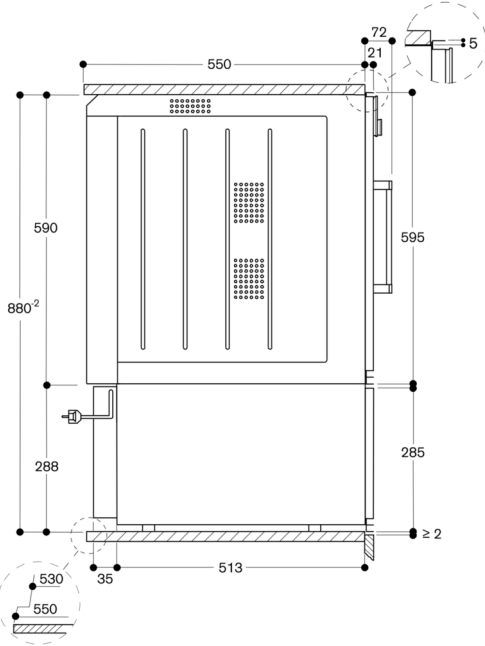
The socket can be planned behind the appliance.

### Connection

Total connected load 0.81 KW.

Connection cable 1.5 m, pluggable.

WSP 222 below BOP



measurements in mm